

IMPACT 2000™

International Modular Pneumatic Actuator Control Technology 2000

- Save Time
- Save up to 25% on Weight
- Improved Integrity

MIDLAND-ACS INDUSTRIES & APPLICATIONS

For more than 50 years, Midland-ACS has been involved in numerous industries and applications, including:

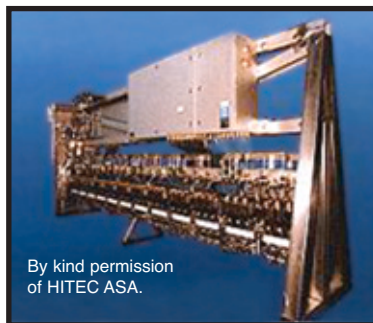
- **Marine and Offshore Facilities**

- Emergency Shutdown Systems (ESD)
- Fire Damper and Deluge System Controls
- Water Desalinization
- Automatic Door Controls
- Local Wellhead Controls



- **Offshore Oil & Gas**

- Installations, Topside & Subsea
- Onshore Oil & Gas Pipelines
- Mining



- **Chemical & Petroleum Plants**

- Emergency Shutdown Systems (ESD)
- Fire Damper & Valve Actuator Controls



- **Power Generation**

- Combined Cycle Power Plants
- Hydro-electric & Nuclear Plants



Satisfying Customers Globally **Through Innovative Products and Quality Service**

Our Company

Midland-ACS has been a major supplier of 316 Stainless Steel control equipment to the oil, gas and petroleum industry for over 50 years. In that time, customers around the world have relied on our products to ensure that equipment and systems work safely, reliably and efficiently. The company has continually developed innovative products to meet increasing demands and expectations of our customers. With the added expertise of **Actuator Control Systems** into the **Midland** product family, **Midland-ACS** has expanded its capabilities to include both pneumatic and hydraulic valve solutions.

Global Representation

- **Australia**
- **Belgium**
- **Brasil**
- **Canada**
- **Finland**
- **France**
- **India**
- **Indonesia**
- **Italy**
- **Malaysia**
- **Mexico**



- **Netherlands**
- **Norway**
- **Singapore**
- **South Africa**
- **South Korea**
- **Spain**
- **Sweden**
- **United Arab Emirates**
- **United Kingdom**
- **United States**
- **Venezuela**

Our Customers

Midland-ACS's growing list of customers includes many well-known multinational companies that reflect our international presence:

- **ABB Control Valves**
- **Bettis Actuator**
- **Biffi Actuator**
- **Brown and Root**
- **Cameron Willis**
- **Cooper Cameron**
- **Dresser Masonelian**
- **Emerson Process Management**
- **Flowserve**
- **Fluor Daniel**
- **Kvaerner**
- **Masterflo**
- **Mokveld**
- **N-Line Valves**
- **Neles Controls**
- **Rotork Fluid System**
- **Scana Industries**
- **Severn Glocon**
- **Shell Expro**
- **SPX Valves**
- **Statoil**
- **Varco Shafer**
- **Weir Valves & Controls**

IMPACT 2000™



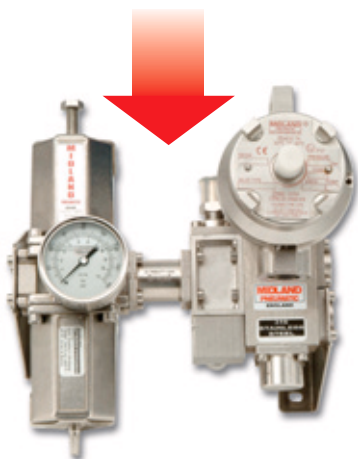
International Modular Pneumatic Actuator Control Technology 2000

IMPACT 2000™ is a high integrity modular pneumatic actuator control assembly in 316 Stainless Steel. Lighter, stronger and more compact than panel mounting. IMPACT 2000™ offers a significant reduction in total installed cost in both CAPEX and OPEX over panel mounted assemblies. The modular system does away with complex arrangements using panels, pipes and additional fittings. Using a range of field proven components, valves, spool, poppet or direct acting, and filter regulators are connected in series using a universally compatible interface block and mounted directly onto the valve actuator.

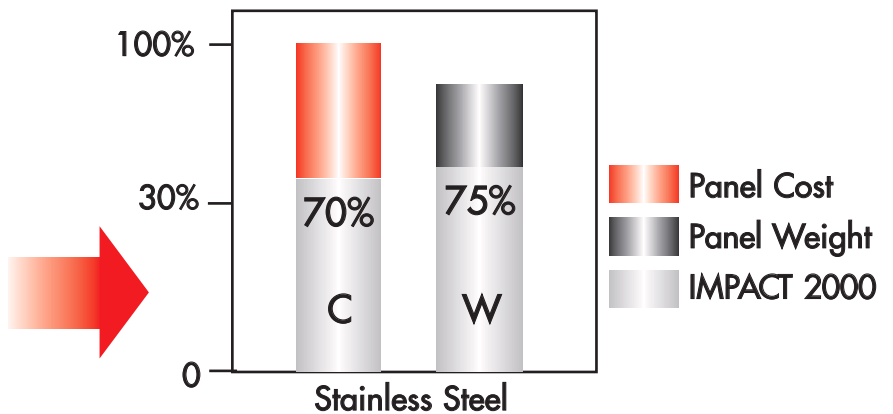
Each unit is supplied assembled and tested, ready to fit and operate. No design work is required from the contractor and all components are kept in stock, resulting in short lead times. IMPACT 2000™ components are ideal for both hazardous area and industrial use, with ATEX, NEMA, UL and CSA approvals. Units will interface with all global pneumatic actuators.

Midland-ACS have been manufacturers of stainless steel and brass pneumatic components for over forty years, that wealth of experience has resulted in a range of field proven specialist products renowned for their performance and reliability.

CHANGE THIS



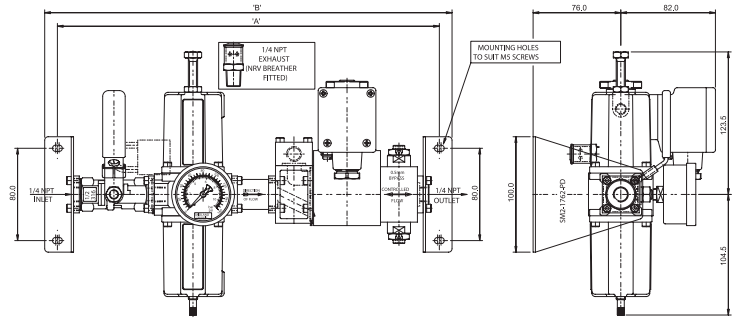
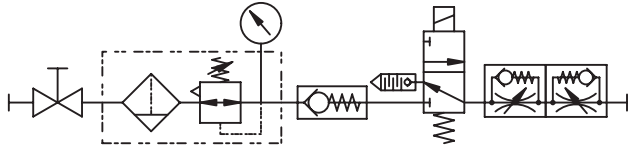
FOR THIS



Standard Circuits

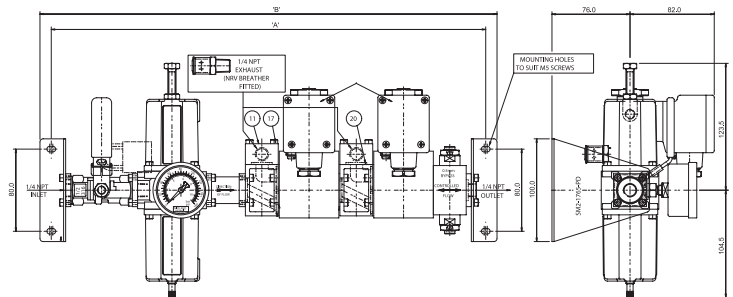
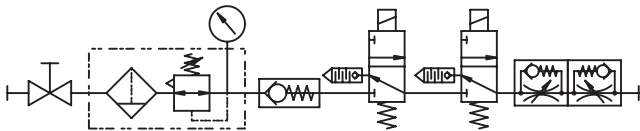
Circuit Sample 1

Dimensional Data



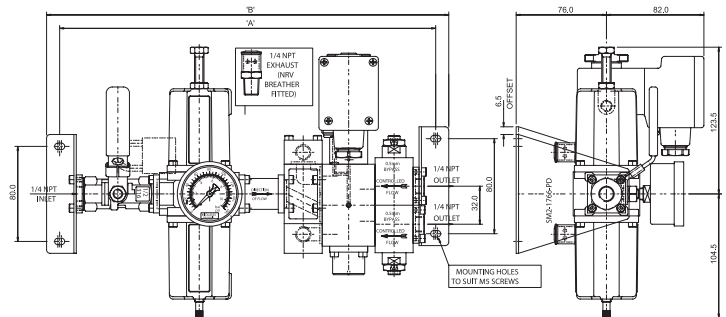
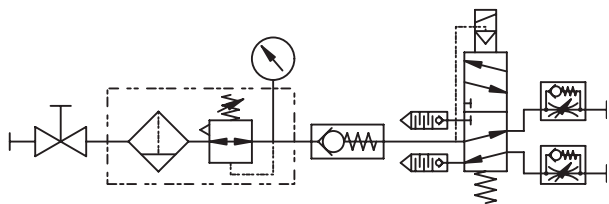
Circuit Sample 2

Dimensional Data



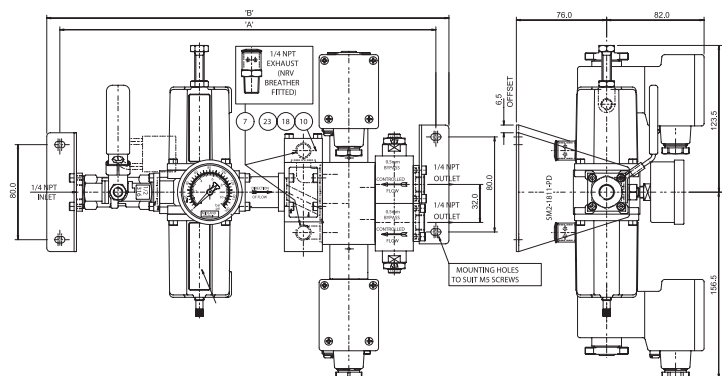
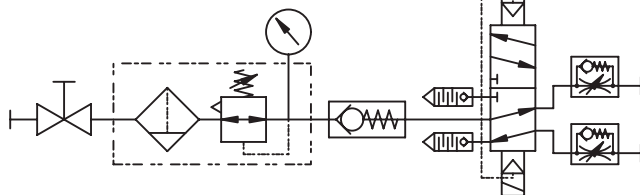
Circuit Sample 3

Dimensional Data



Circuit Sample 4

Dimensional Data



Custom Designed Solutions



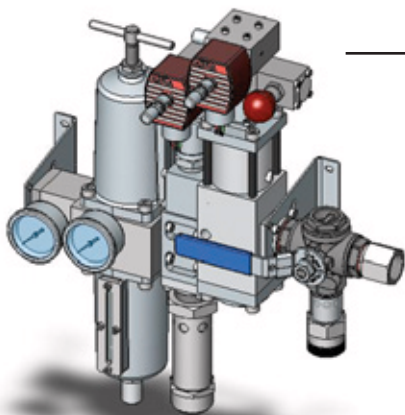
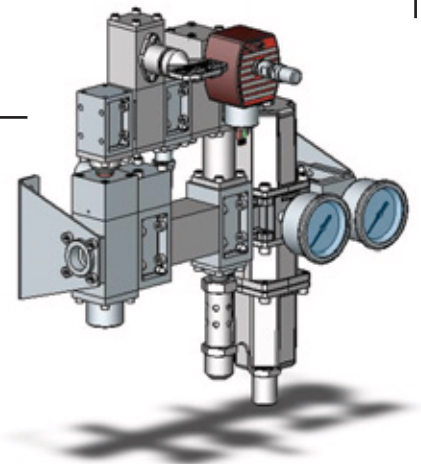
Application Ready

Midland-ACS specializes in modular manifold solutions utilizing the Impact 2000™ Modular Manifold System . For this example the system incorporated 316 stainless steel, air preparation equipment, with explosion proof solenoids, check valves and flow controls.

By engineering the system to fit directly onto the actuator the need for a heavy stainless steel plate was eliminated as was the need for many stainless steel fillings and tubing and other mounting accessories.

Custom Features

- 1/2" Manifold Assembly
- Filter Regulator - Auto Drain
- Relief Valve
- Pilot Solenoid Valve Auto Reset
- Key Operated Valve
- Pilot Air Operated Poppet Valve

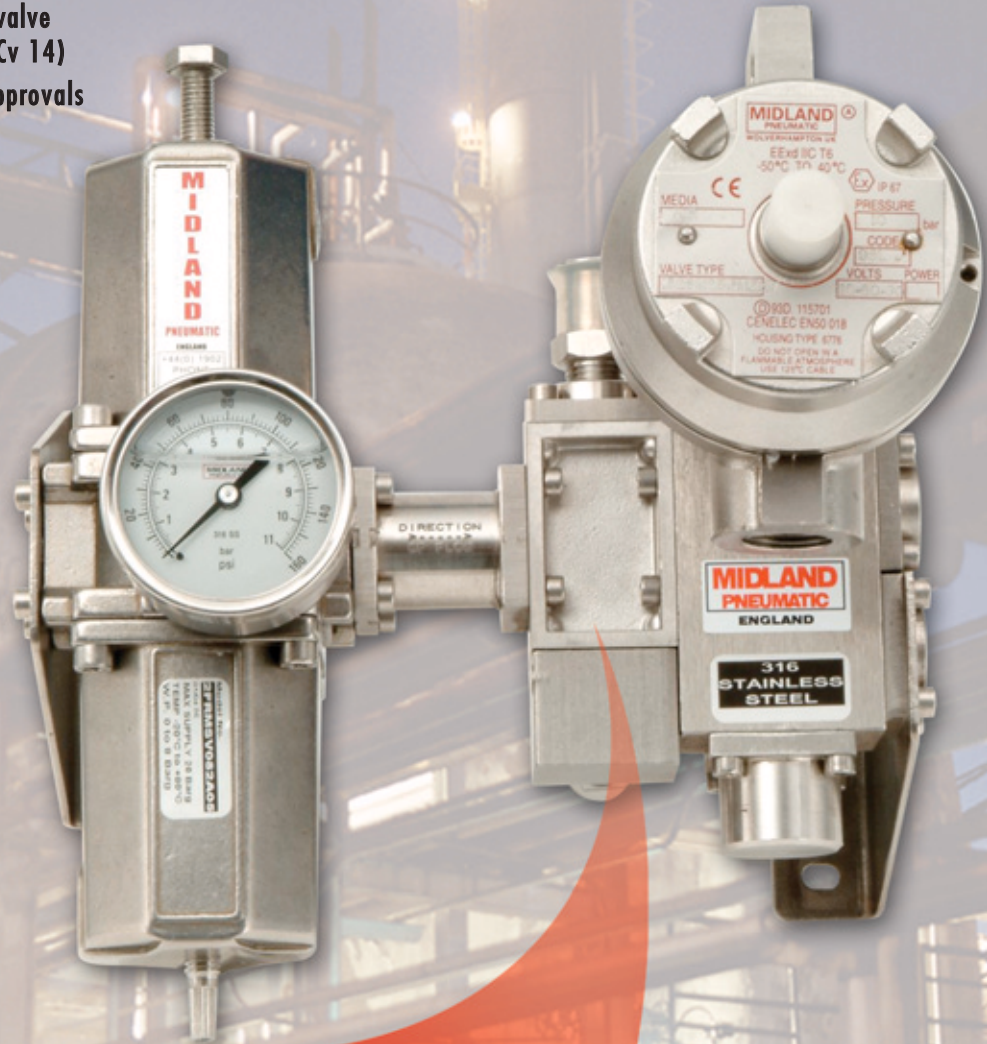


Custom Features

- 3/4" Manifold Assembly
- Filter Regulator - Auto Drain
- Relief Valve
- Pilot Solenoid Valve Auto Reset
- Pilot Solenoid Valve Manual Reset
- Pilot Air Operated Poppet Valve
- Manual 3-Way Ball Valve

IMPACT 2000™

- 316 stainless steel or brass body
- Direct acting, Spool or Poppet valves
- Available in 1/4" (Cv 1.00) and 1/2" (Cv 3.50)
- Can be integrated in larger valve circuits 3/4" (Cv 10) + 1" (Cv 14)
- ATEX, NEMA, UL and CSA approvals
- All units non lube



UNIVERSAL INTERFACE BLOCK



- Low Power Solenoid
- Allows any combination of components
- Compact
- High Strength
- O-ring seals
- No pipes & No fittings
- Simple auxiliary take off: Tanks, Gauges etc...

316
STAINLESS STEEL